

Component list

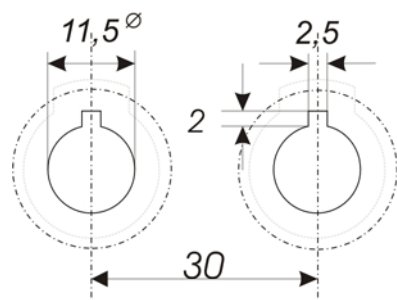
1	Base element, PA	1
2	Signal conductor, Cu Pure copper	1
3	Pressure nut, PC	1
4	Marking ring, PA	1
5	Pressure ring, PC	1
6	Damping unit, TPE	1
7	Indicator, retaining element, PC	1
8	Counter nut , PA	1
9	Double Stepp washer, PA	1
10	Covering ring, PC	1
Extent of delivery 1 – 10 mounted		
Revision date 01.04.2011		

¹⁾ LOCTITE is a registered trademark of Henkel • WBT and nextgen are registered trade marks of WBT Germany

nextgen™ Pole Terminal WBT- 0703

(EP 1 470 620, Pat. pend.102011007940)

Pole terminal for cabinet wall mounting, *plug* - / *solderversion*



Mounting suggestion or
hint: impact sound interrupter WBT - 0718



IEC, EN und RoHS compliant
UL – style: V1

1. Mechanics

- One piece, low tolerance contact element
- Fully insulated construction
- Indication of fastening power (torque control)
- Locking feature for contact pressure by vibration damping
- Damping against sond impact

2. Materials

- Signal conductor (2) pure copper
- Base element (1) PA
- Counter nut (8) PA
- Marking ring (4) and double step washer (9) PA
- Damping ring (6) TPE
- Indicator / retaining (5), pressure ring (7) PC
- Pressure nut (3) and covering ring (10) PC

3. Surfaces

- Signalleiter: gold plated, Ni-free, non ferromagnetic

4. Operating characteristics (reliably observed after more than >10³ connection / disconnections)

- Permanent current $I_D \geq 30$ A
- Peak current $I_S \geq 200$ A
- Transition resistance $R_{D0} < 0,1$ mOhm (measured with spade connection)
- Contact resistance $R_{DAg} < 0,14$ mOhm (measured with spade connection)
- Insulation resistance $R_{iso} > 10^{10}$ Ohm (500V)

5. Connection options

- solder (optimal for cabel up to 4 mm² / 11 AWG)
- plug (for 6.3 mm flat push-on shoe)

6. Mounting

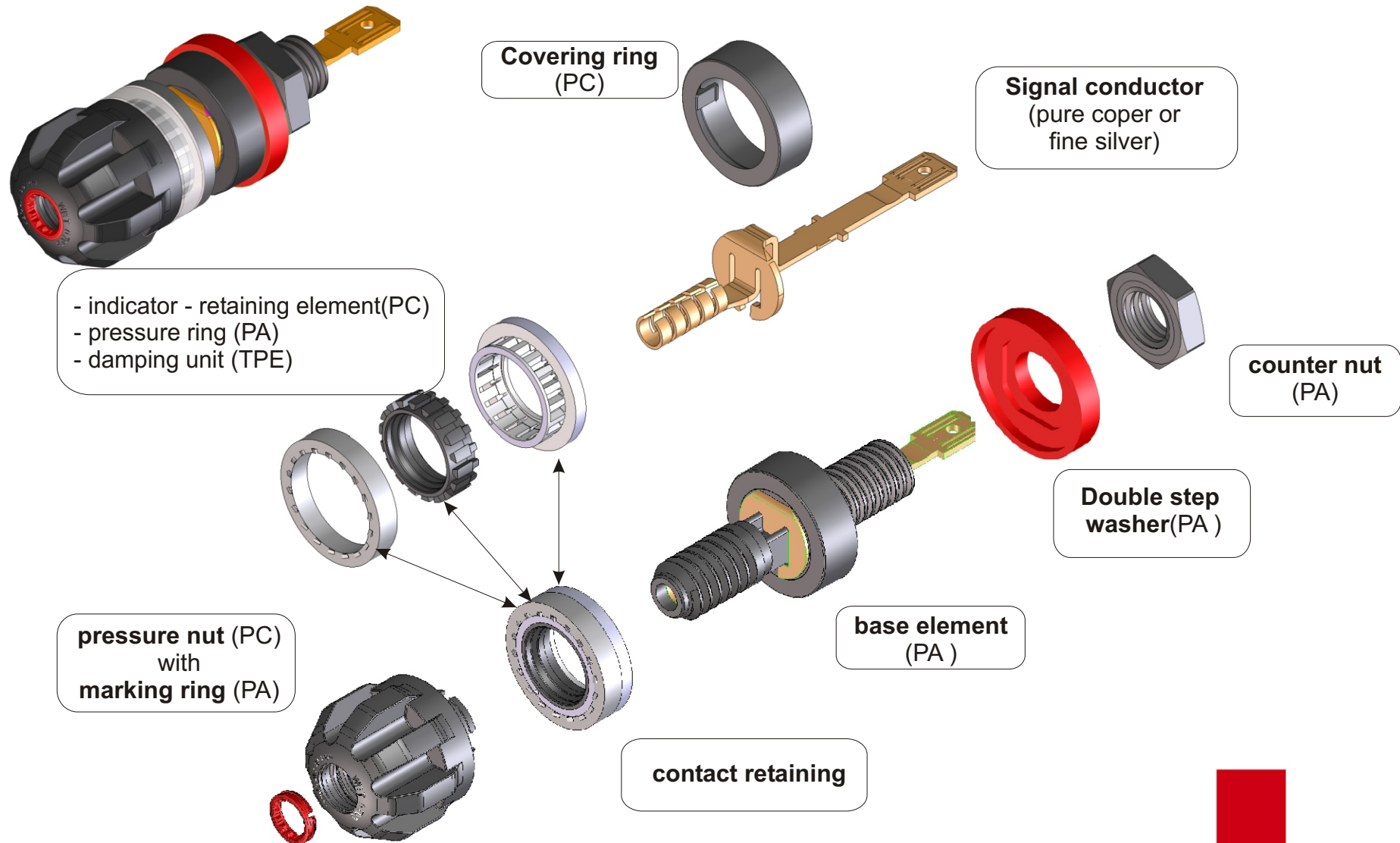
- chassis drill hole $\varnothing 11.5^{+0.2}$ mm with slot 2.5x2 mm for twist prevention (see left → drilling scheme)
- for wall thickness from 0,9 to 10.0 mm, with puzzle plate WBT-9410 from 0.9 to 8.0 mm
- recommended distance between two terminal centres: 30 mm
- recommended tightening torque for the counter nut (8): 1.8 Nm
- recommended fluid nut lock for the counter nut (8): LOCTITE 480 ¹⁾

7. Mounting suggestion

- impact sound interrupter WBT – 0718,
- cabinet wiring with nextgen™ female blade connector WBT – 0650 / -0655, 30 A with contact retaining and vibration damping

nextgen™ Pole Terminal WBT - 0703 Cu/Ag

Int.pat. EP 1470 620, Pat.pend. 102011007940



In line with IEC, EN, and RoHS
UL - style: V1

WBT and nextgen are reg. trademarks of WBT Germany
Subject to technical changes

© by WBT
Revision: Februar 2011

WBT GmbH
45219 Essen
☎ +49 (0) 2054 87 552-0
e-mail: info@wbt.de





Technische Beschreibung



Technical description

Polklemme WBT-0703 Cu/Ag

NEU!

mit nextgen™-Technik*

Die nextgen™ Polklemme
WBT-0703 Cu/Ag mit WBT-Kontaktsicherung

- wirkt als Vibrationsdämpfer gegen Körperschall
- signalisiert als Druckindikator die erreichte Kontaktqualität
- sichert den Kontaktdruck und die Spannmutter.

Die für Audio optimale Breitbandschnittstelle.

WBT-Kontaktsicherung mit

- Vibrationsdämpfer
- Druckindikator
- Drucksicherung

Ø 19 mm

8 Rillen-Design

Stromfähigkeit: 30/200 A

Int.-Pat.: 1470620

Pat-pend: 102011007940

*nextgen™ Charakteristika:

- hybride Konstruktion aus Funktionswerkstoffen
- Querschnitt angepasste Signalleiter aus Cu oder Ag
- keine Wirbelstromverzerrung
- frei von Massespeichereffekten

Binding post / Pole terminal WBT-0703 Cu/Ag

NEW!

with nextgen™-technology*

The nextgen™ pole terminal
WBT-0703 Cu/Ag with WBT-contact securing

- acts as a vibration damper against the impact sound
- signals the achieved contact quality as a pressure indicator
- secures the contact pressure and the clamping nut.

An ideal wideband interface for audio.

WBT-contact securing with

- vibration damper
- pressure indicator
- pressure securing

Ø 19 mm

8 groves design

power capability: 30/200 A

Int.-Pat.: 1470620

Pat-pend: 102011007940

*nextgen™ characteristics:

- hybrid construction of functional materials
- signal conductors well adapted to the cable cross section
- no eddy current distortion
- free from mass storage effects

WBT-0703 Cu

UVP (St.) / Sugg. Retail price (pce):
22,60 EUR